

For standby power supplies

⚡ Specifications

Nominal Voltage(V)

12V

Nominal Capacity

| | | | | |
|--------------|--------|----|---------|---------|
| 20 hour rate | (1.3A | to | 10.50V) | 26Ah |
| 10 hour rate | (2.47A | to | 10.50V) | 24.7Ah |
| 5 hour rate | (4.42A | to | 10.20V) | 22.1Ah |
| 1C | (26A | to | 9.60V) | 16.47Ah |
| 3C | (78A | to | 9.60V) | 10.4Ah |

Weight

Approx. 9.30kg(20.46Lbs.)

Internal Resistance (at 1KHz)

Approx. 11 mΩ

Maximum Discharge Current for

5 seconds:390A

Charging Methods at 25°C(77°F)

| | |
|----------------------------|---------------|
| Maximum Charging Current : | 7.8A |
| Standby use: | |
| Float Charging Voltage | 13.5 to 13.8V |
| Coefficient -3.0mV/°C/cell | |

Operating Temperature Range

| | | | |
|-----------|------------|----|-------------|
| Charge | -15°C(5°F) | to | 40°C(104°F) |
| Discharge | -15°C(5°F) | to | 50°C(122°F) |
| Storage | -15°C(5°F) | to | 40°C(104°F) |

Charge Retention (shelf life) at 20°C(68°F)

| | |
|---------|-----|
| 1 month | 92% |
| 3 month | 90% |
| 6 month | 80% |

Case Material

ABS UL94 HB
Option: Flammability resistance of (UL94 V-0)

Design Life & Standard

Expected Trickle Design Life: 6-9 years at 20°C according to Eurobat.

Terminal

F3



⚡ Dimensions

Length (L)

166±2-1 (6.54±0.08-0.04)

Width (W)

175±2-1 (6.89±0.08-0.04)

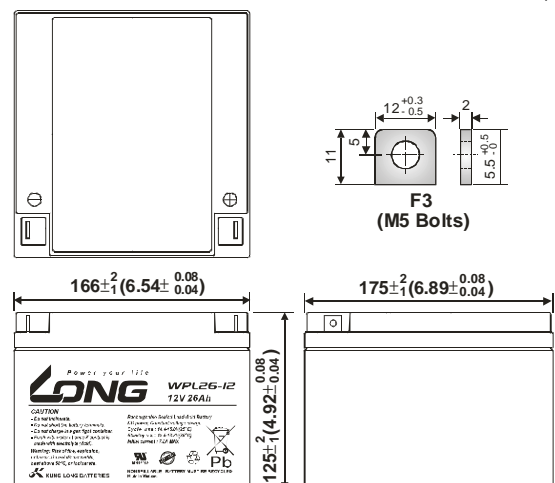
Height (H)

125±2-1 (4.92±0.08-0.04)

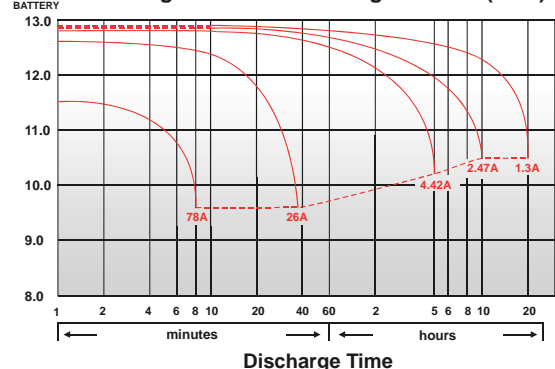
Overall Height (HT)

125±2-1 (4.92±0.08-0.04)

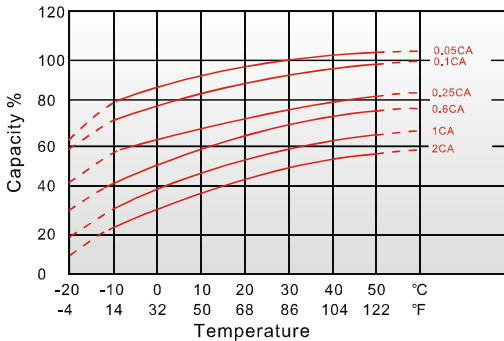
mm(inch)



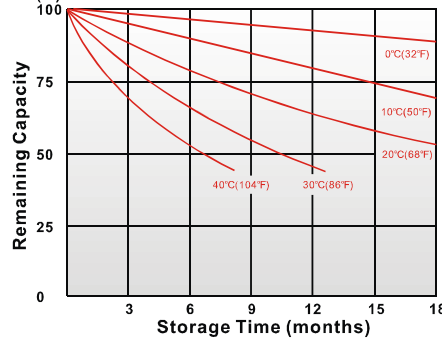
(V) Discharge Time VS. Discharge Current (25°C)



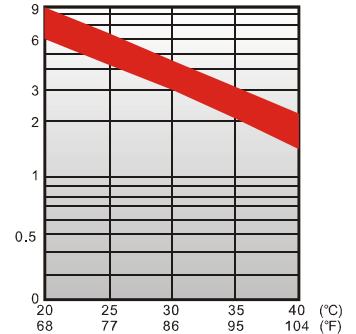
Effect of Temperature on Capacity 25°C(77°F)



Capacity Retention Characteristic



Trickle (or float) Service Life



- PERFORMANCE DATA

Discharge Rates in Watts to Various End Voltages at 25°C(77°F)

| End Voltage | | 1.85V | 1.80V | 1.75V | 1.70V | 1.67V | 1.65V | 1.60V |
|-------------|-----|-------|-------|-------|-------|-------|-------|-------|
| Time | | | | | | | | |
| 5 | min | 147 | 161 | 173 | 185 | 191 | 196 | 208 |
| 10 | min | 108 | 114 | 119 | 125 | 128 | 131 | 135 |
| 15 | min | 78.7 | 84.0 | 88.2 | 92.2 | 94.2 | 96.0 | 99.5 |
| 30 | min | 42.3 | 45.3 | 47.2 | 48.7 | 49.5 | 50.3 | 51.3 |
| 60 | min | 30.2 | 31.7 | 32.4 | 32.8 | 33.2 | 33.5 | 33.8 |
| 120 | min | 19.2 | 19.8 | 20.2 | 20.7 | 20.8 | 21.0 | 21.2 |
| 180 | min | 12.8 | 13.2 | 13.4 | 13.6 | 13.6 | 13.7 | 13.8 |
| 240 | min | 10.3 | 10.5 | 10.7 | 10.8 | 10.9 | 10.9 | 11.0 |
| 300 | min | 8.75 | 8.90 | 8.98 | 9.07 | 9.10 | 9.15 | 9.37 |
| 600 | min | 5.42 | 5.52 | 5.58 | 5.66 | 5.68 | 5.72 | 5.75 |
| 1200 | min | 2.62 | 2.69 | 2.74 | 2.78 | 2.80 | 2.82 | 2.83 |

- Discharge Rates in Amperes to Various End Voltages at 25°C(77°F)

| End Voltage | | 1.85V | 1.80V | 1.75V | 1.70V | 1.67V | 1.65V | 1.60V |
|-------------|-----|-------|-------|-------|-------|-------|-------|-------|
| Time | | | | | | | | |
| 5 | min | 78.9 | 92.9 | 103 | 109 | 111 | 113 | 115 |
| 10 | min | 55.6 | 62.1 | 64.2 | 68.2 | 70.4 | 72.3 | 75.7 |
| 15 | min | 40.8 | 46.4 | 49.8 | 52.6 | 54.3 | 54.9 | 56.2 |
| 30 | min | 21.4 | 23.8 | 25.2 | 26.5 | 27.2 | 27.8 | 28.8 |
| 60 | min | 15.3 | 16.1 | 16.5 | 16.9 | 17.1 | 17.3 | 17.5 |
| 120 | min | 9.34 | 9.72 | 9.87 | 10.0 | 10.1 | 10.2 | 10.3 |
| 180 | min | 6.45 | 6.63 | 6.72 | 6.83 | 6.87 | 6.92 | 6.99 |
| 240 | min | 5.48 | 5.61 | 5.69 | 5.76 | 5.79 | 5.84 | 5.91 |
| 300 | min | 4.77 | 4.86 | 4.93 | 5.00 | 5.02 | 5.05 | 5.08 |
| 600 | min | 2.55 | 2.61 | 2.65 | 2.69 | 2.71 | 2.74 | 2.77 |
| 1200 | min | 1.29 | 1.34 | 1.36 | 1.38 | 1.39 | 1.40 | 1.43 |

All data on the spec. sheet is an average value:

The tolerance range : $X < 6\text{min}$ (+15%~-15%), $6\text{min} \leq X < 10\text{min}$ (+12%~-12%), $10\text{min} \leq X < 60\text{min}$ (+8%~-8%), $X \geq 60\text{min}$ (+5%~-5%)

270919-1H