

### ⚡ Specifications

#### Nominal Voltage(V)

12V

#### Nominal Capacity

10 hour rate	(10A	to	10.80V)	100Ah
5 hour rate	(17A	to	10.20V)	85Ah
1 hour rate	(60A	to	9.60V)	60Ah
1C	(100A	to	9.60V)	63.33Ah

#### Weight

Approx. 30.0kg(66.0Lbs.)

#### Internal Resistance (at 1KHz)

Approx. 5 mΩ

#### Maximum Discharge Current for

5 seconds:1200A

#### Charging Methods at 25°C(77°F)

Cycle use:

Charging Voltage 14.4 to 15.0V

Coefficient -5.0mV/°C/cell

Maximum Charging Current : 30A

Standby use:

Float Charging Voltage 13.5 to 13.8V

Coefficient -3.0mV/°C/cell

#### Operating Temperature Range

Charge -15°C(5°F) to 40°C(104°F)

Discharge -15°C(5°F) to 50°C(122°F)

Storage -15°C(5°F) to 40°C(104°F)

#### Charge Retention (shelf life) at 20°C(68°F)

1 month 98%

3 month 94%

6 month 85%

#### Case Material

ABS UL94 HB

Option: Flammability resistance of (UL94 V-0)

#### Design Life

12 Years.

#### Terminal

F15



### ⚡ Dimensions

#### Length (L)

307±3 (12.09±0.12)

#### Width (W)

168±3 (6.61±0.12)

#### Height (H)

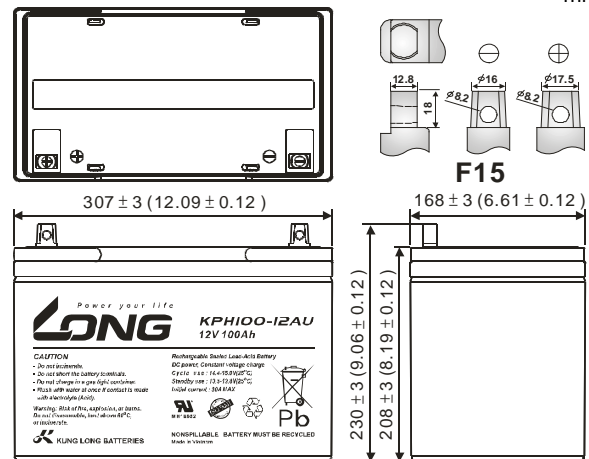
208±3 (8.19±0.12)

#### Overall Height (HT)

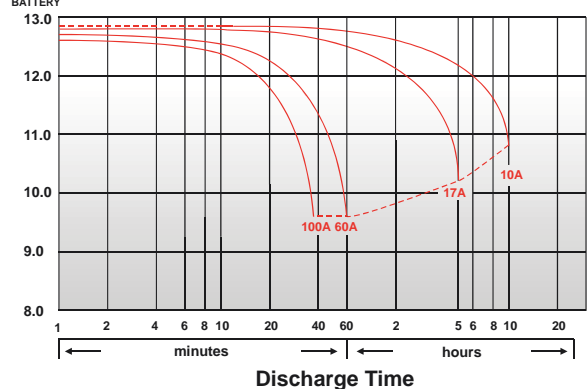
230±3 (9.06±0.12)

#### Description of torque value of hard ware for the terminals:

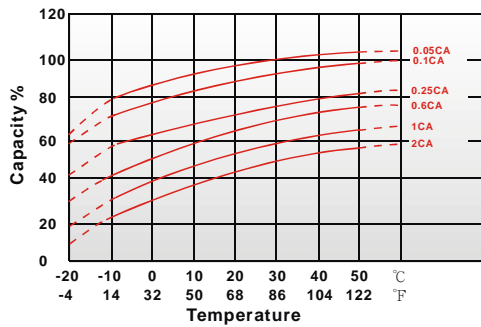
mm(inch)



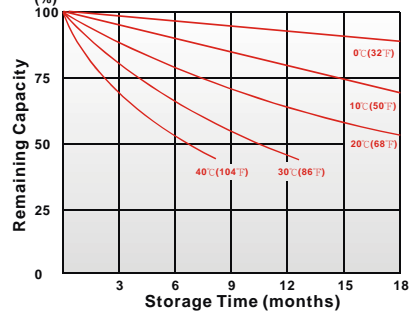
#### (V) FOR 12V BATTERY Discharge Time VS. Discharge Current (25°C)



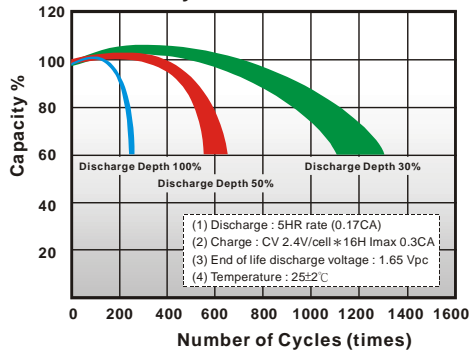
Effect of Temperature on Capacity 25°C(77°F)



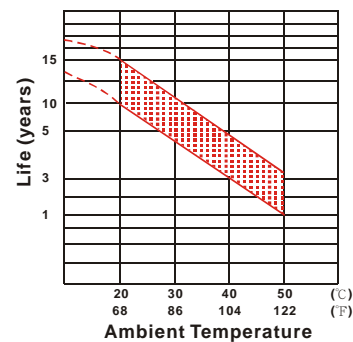
Capacity Retention Characteristic



Cycle Service Life



Trickle (or float) Service Life



**- PERFORMANCE DATA**

**Discharge Rates in Watts to Various End Voltages at 25°C(77°F)**

End Voltage		1.85V	1.80V	1.75V	1.70V	1.67V	1.65V	1.60V
Time	min							
5	min	432	491	527	561	577	598	625
10	min	402	436	463	488	497	510	521
15	min	310	345	373	385	389	395	403
30	min	218	235	248	252	254	255	257
60	min	130	136	140	142	143	144	145
120	min	68.3	71.6	74.2	74.9	75.6	76.4	77.0
180	min	52.6	54.5	55.5	56.6	57.1	57.8	58.8
240	min	35.1	36.8	39.2	41.2	41.8	42.6	43.2
300	min	33.8	35.0	36.7	37.1	37.2	37.4	37.7
600	min	18.9	19.6	19.9	20.2	20.3	20.5	20.7
1200	min	10.3	10.6	10.9	11.1	11.2	11.3	11.4

**- Discharge Rates in Amperes to Various End Voltages at 25°C(77°F)**

End Voltage		1.85V	1.80V	1.75V	1.70V	1.67V	1.65V	1.60V
Time	min							
5	min	236	261	300	320	341	356	375
10	min	195	218	239	256	262	271	286
15	min	174	189	202	210	213	216	221
30	min	115	123	129	132	133	134	136
60	min	63.2	65.50	67.5	69.6	70.5	71.5	73.3
120	min	36.2	37.5	38.1	38.7	38.9	39.2	39.5
180	min	27.9	28.9	29.4	29.8	30.0	30.2	30.4
240	min	18.4	19.2	20.1	20.3	20.4	20.5	20.7
300	min	16.8	17.6	18.4	18.6	18.7	18.8	19.0
600	min	9.7	10.0	10.2	10.4	10.5	10.6	10.7
1200	min	5.07	5.22	5.36	5.39	5.40	5.42	5.44

All data on the spec. sheet is an average value:

The tolerance range : X<6min(+15%~-15%), 6min ≤ X<10min(+12%~-12%), 10min ≤ X < 60min(+8%~-8%), X ≥ 60min(+5%~-5%)

290719-1G